



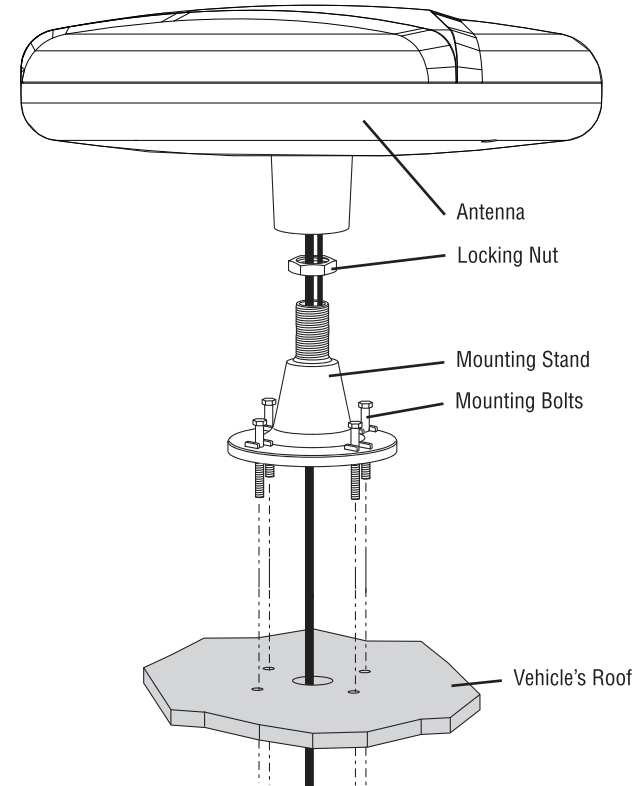
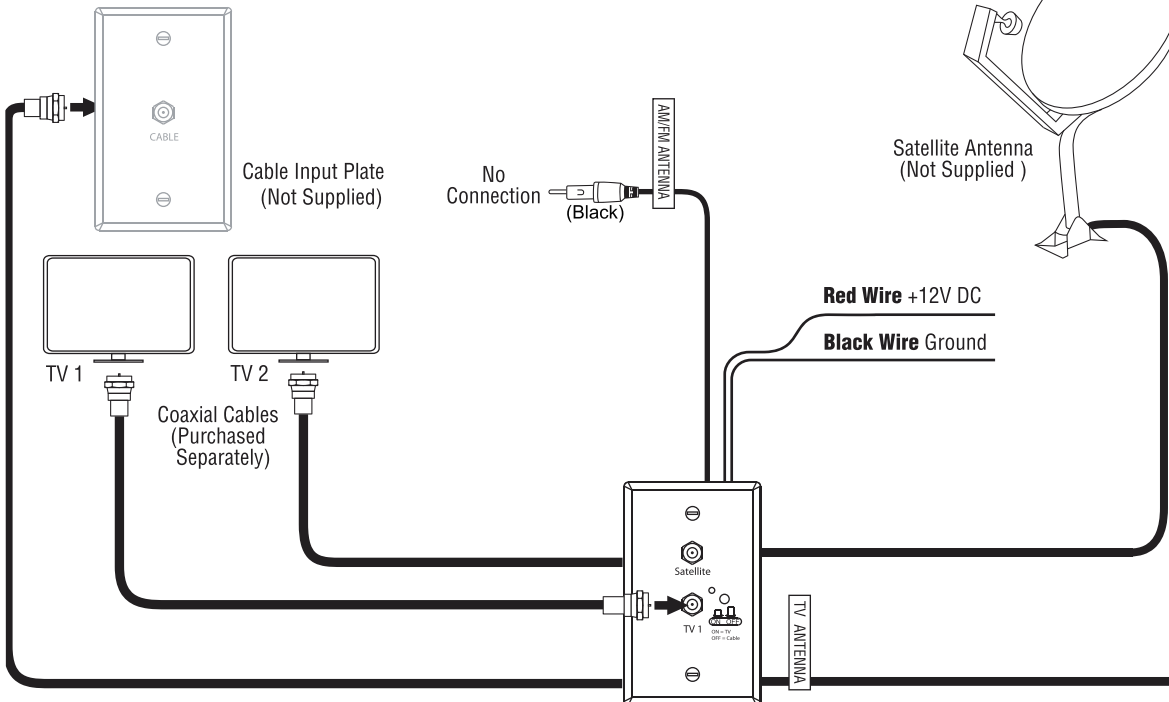
Installation Instructions

Installation

OMNIPRO series

- Step 1: Decide location of power supply before mounting your antenna. Antenna and power supply location will determine where and how you run the cables. DO NOT install the antenna before you read this instruction.
- Step 2: Drill a hole thru the roof to run cable from the antenna into your vehicle. Or if your vehicle have a cable hole already, run the cable thru hole to the antenna.
- Step 3: Using 4 self-tapping screw to securely fasten antenna mount to the roof. Do not over tighten the mounting bolts, damage to the mounting stand or roof may occur.
- Step 4: Use cable tool to drive the cable into the mounting bracket on the underside of the antenna, aligning the end of the connector with the F connector on the antenna. Turn cable tool until the connector is tight and remove the cable tool.
- Step 5: After cable connector is made, slide antenna onto the mount. Gently pull back any extra cable inside vehicle.
- Step 6: Fasten antenna to mount using self-tapping screw and hex nuts. Tighten firmly to prevent antenna from turning on mount or mast.
- Step 7: Connect power supply MP-002 kits (not included in this package)

Technical Specifications
AM520-1719KHz FM:47-230MHz
UHF: 470-862MHz
Gain: 30dB
Power Supply: DC 12V==50mA





Operating Instructions

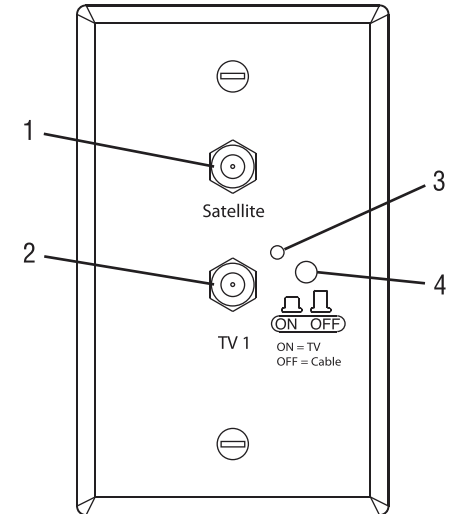
Distribution Wall Plate Features

OMNIPRO series

Features:

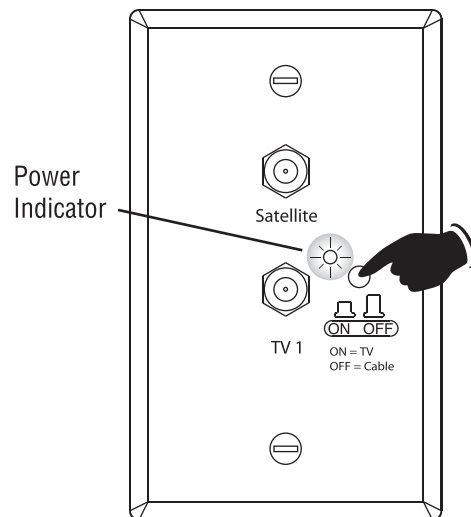
- Compatible with HDTV.
- Built-in high gain and low noise amplifier, shielded for minimum interference.
- Omnidirectional antenna receives VHF, UHF and AM/FM signal from every point regardless of the direction you are traveling.
- Amplifier with SMD technology and micro-electronics ensures excellent antenna performance.
- Waterproof antenna made of UV resistant ASA material.

- 1. Satellite Antenna Output Connector:** Use a cable to connect to a TV to receive a satellite signal.
Note: A satellite antenna must be connected to the vehicle.
- 2. TV 1 or Cable Output Connector.** Use a cable to connect to a TV to receive either TV antenna or cable reception.
- 3. TV Antenna Power Indicator.** When lit indicates TV reception. When off indicates cable reception.
- 4. TV Reception or Cable Selector Switch.** Press this button to choose from TV or cable reception.
Note: Every TV (TV 1 and TV 2) connected to the wall distribution plate will be switch when a selection is made, either TV or cable.



Selecting TV Antenna Reception

To receive TV antenna reception press the On/Off switch so the power indicator is lit.



Selecting Cable TV

To receive cable TV press the On/Off switch so the power indicator is off.

Note: The vehicle must be connected to an external cable source.

